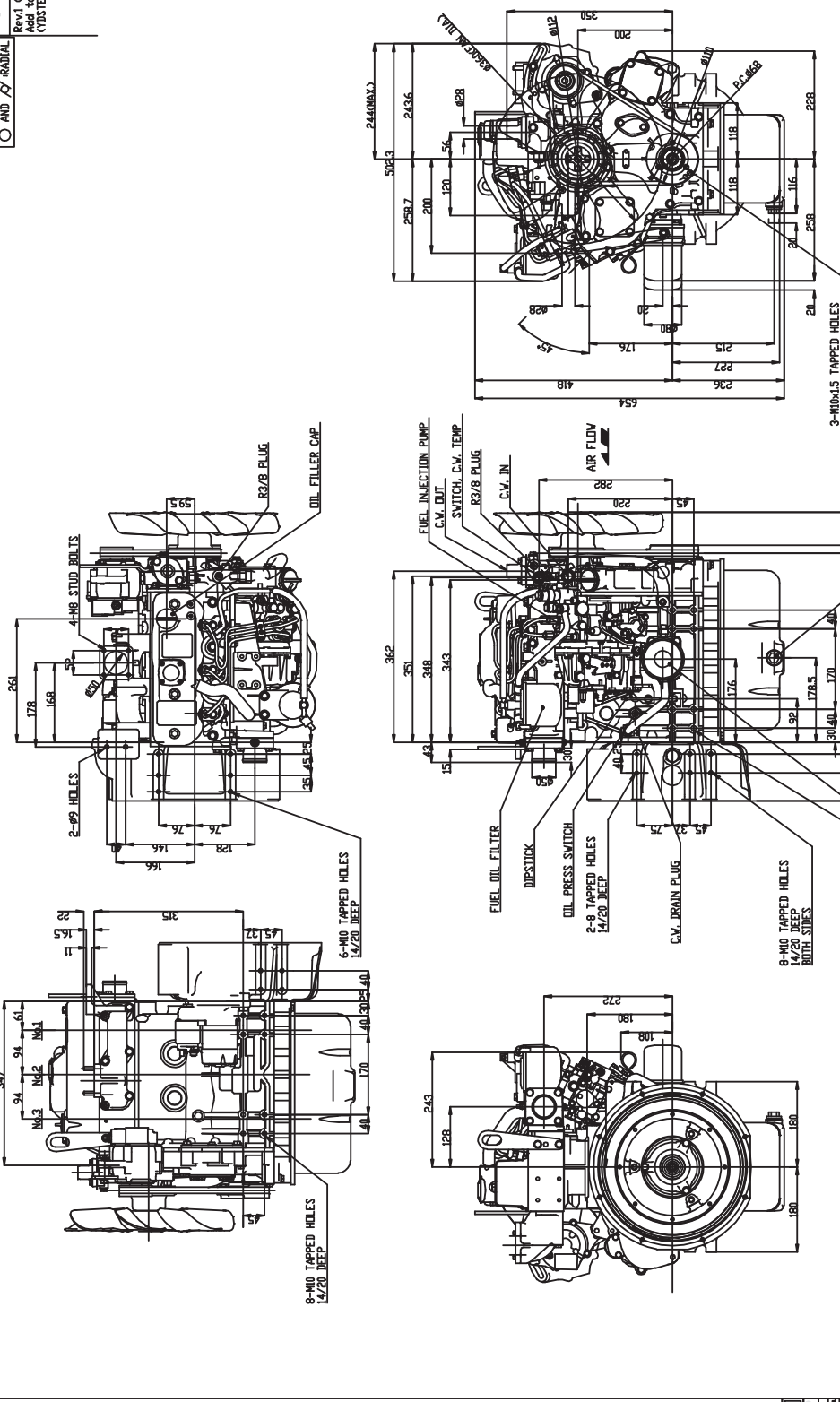


3TNV88-DSA

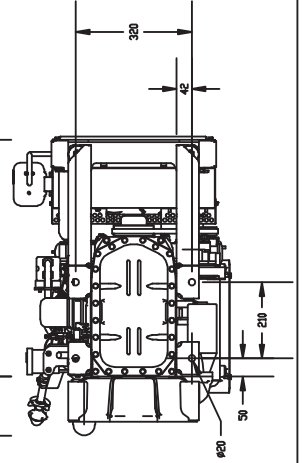
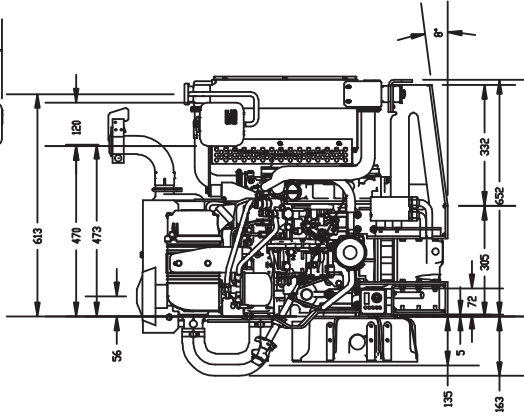
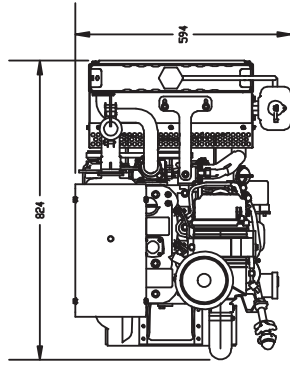
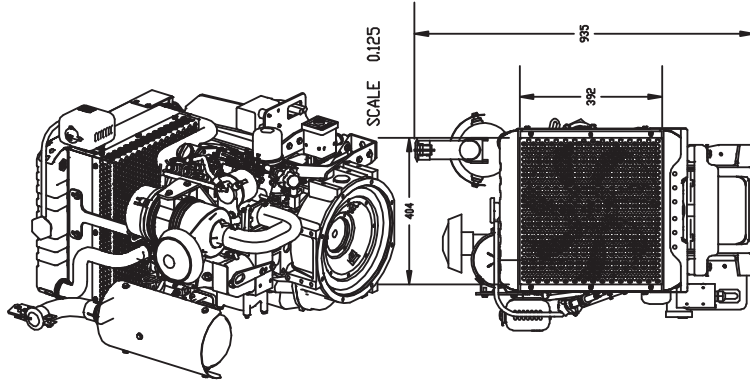
3RD ANGLE PROJECTION
CAREER
 Rev.1 (2003.0ec03)
 Add to 3TNV88-3LSA
 (YDSTE-03597)



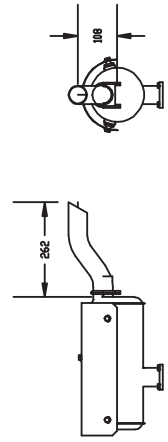
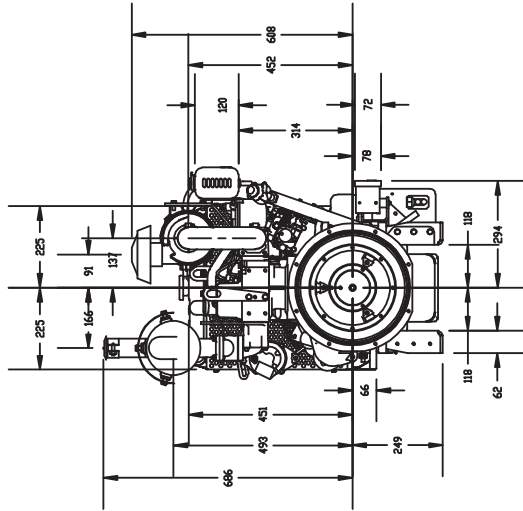
3D-CAD	1.1	1.1	1.1
WRITE	1.1	1.1	1.1
1	1.1	1.1	1.1
2	1.1	1.1	1.1
3	1.1	1.1	1.1
4	1.1	1.1	1.1
5	1.1	1.1	1.1
6	1.1	1.1	1.1
7	1.1	1.1	1.1
8	1.1	1.1	1.1
9	1.1	1.1	1.1
10	1.1	1.1	1.1
11	1.1	1.1	1.1
12	1.1	1.1	1.1
13	1.1	1.1	1.1
14	1.1	1.1	1.1

Power Unit

CAREER



NOTES:
 1. measurements are taken from the cylinder block rear and the crankshaft
 2. dimensions for the upgraded control panel are larger than the panel in the model
 3. the flywheel housing will be different based upon the spec design of the engine



YAMAHA CO., LTD. YAMAHA PAPER CO. CLIP	
DESIGNER	SPECIALIST
CHECKED	DESIGN/INSP
MODEL	
QTY	

PART NAME	OUTLINE DRAWING
PART CODE	31N168-KIT